

The TM20 OVPbox (Over-Voltage-Protection Box) allows an Installation of the TM20 Microphones in Conformity with the Lightning Protection Zone Concept which demands an Installation of the Protective Device right next to the Microphone.

**Properties:**

Box Material: Powder-coated sheet steel

Connectors:

- Microphone Input: XLR 5pin male
- Microphone Output: XLR 5pin female

Ground Cable:

- Type: H07V-K 10mm<sup>2</sup>
- Length: 2m
- Termination: M8 Ring Lug

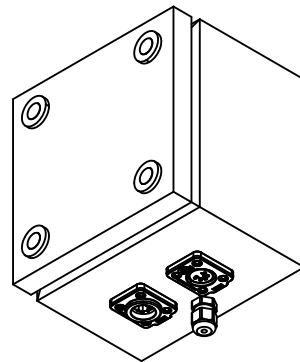
Overvoltage and Lightning Protection Modules:

- Blitzductor XT Modules from DEHN
- In Conformity with Lightning Protection Zone Concept at the Boundaries from 0<sub>A</sub> – 2 and higher
- SPD Class: Type1 P1

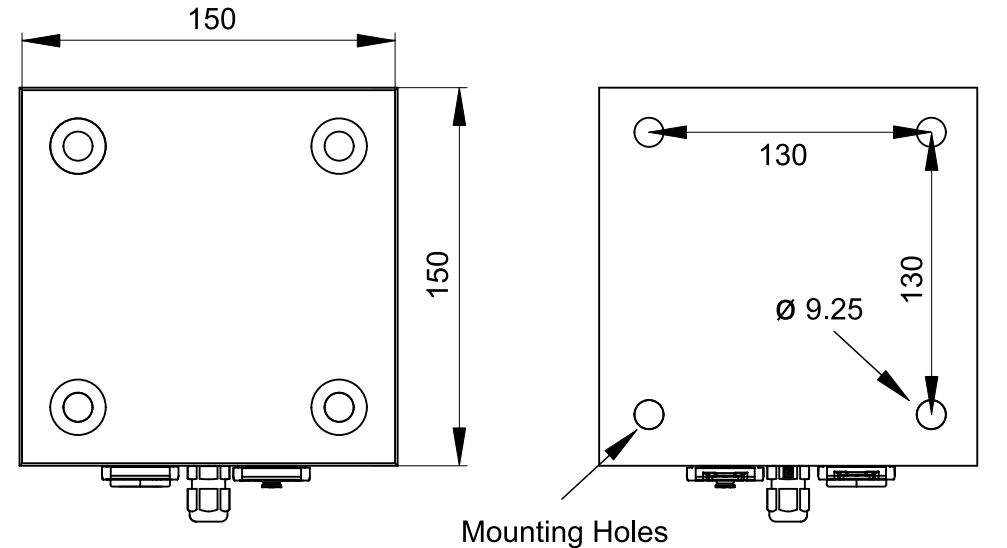
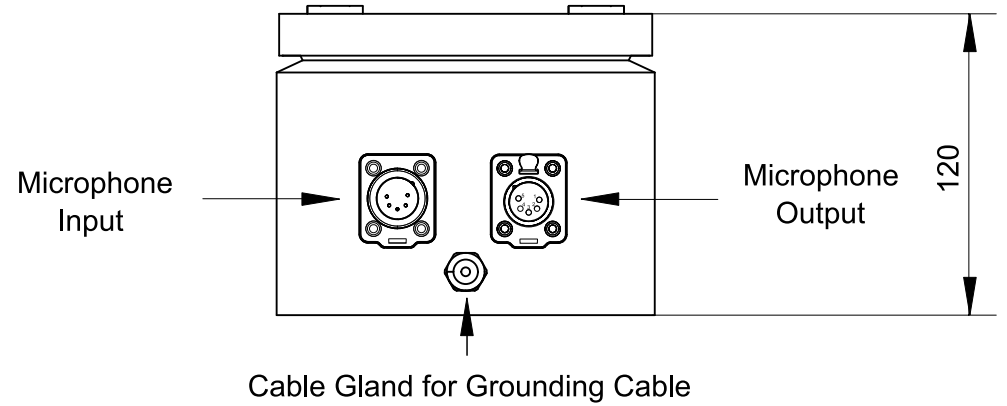
Rating: IP65


Mounting:

- Mounting holes
- Magnets optionally available



Dimensions in mm



DESIGNED BY: <b>Florian Stiller</b>		<b>TM20 OVPbox</b>		G	—
DATE: 04.10.2024				F	—
SIZE	<b>A4</b>			E	—
SCALE				WEIGHT (kg)	DRAWING NUMBER
1 : 3	1.9 kg	1.0	N/A	C	—
This drawing is our property; it can't be reproduced or communicated without our written consent.				B	—
				A	—